

# Pro

## Specifications



---

The Pro is Ideum's most powerful, high-performance interactive table. It has a 4K Ultra HD display and industry-leading touch technology from 3M™ with support for 80 touch points. The Pro is complete with a full-featured and powerful integrated Intel™ i7 quad core computer, the latest NVIDIA™ discrete graphics cards, and single push-button power and can be outfitted with removable drives for up to 24 terabytes of storage.





---

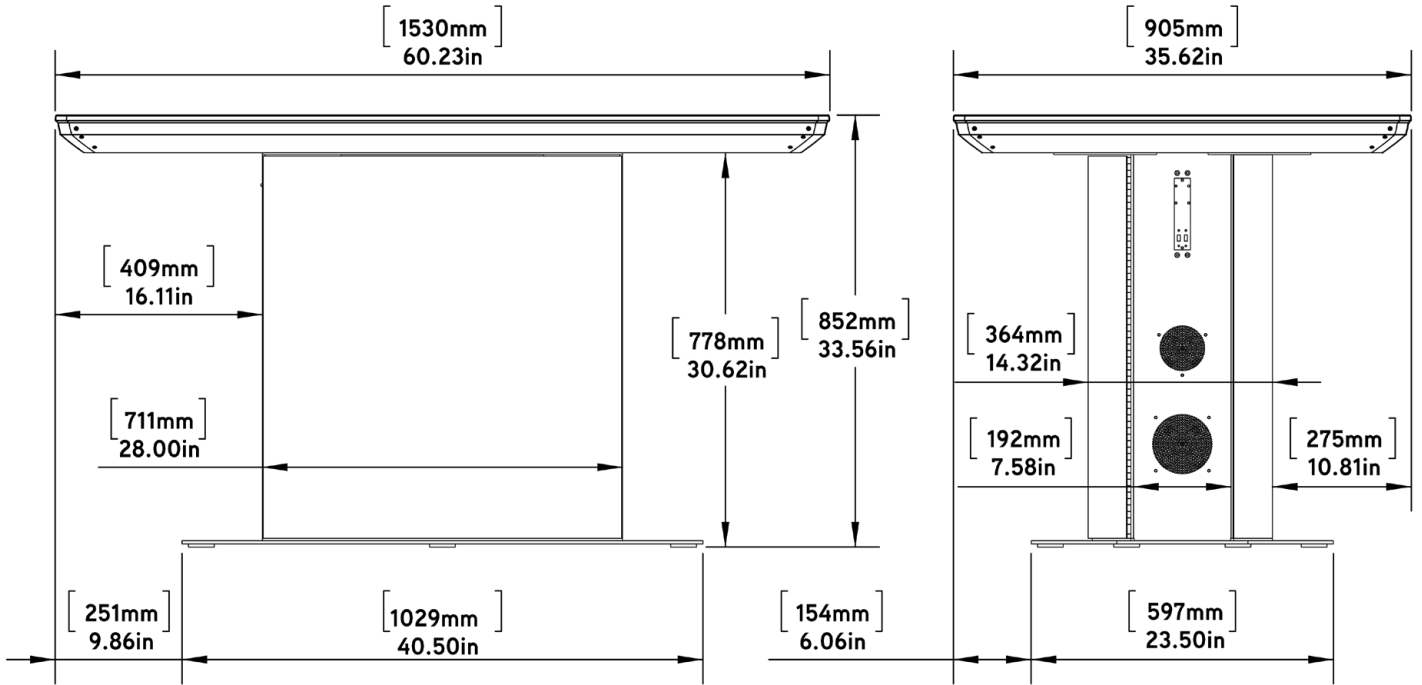
The Pro's beautiful design is also incredibly tough. Its sleek lines are forged out of aircraft-grade aluminum and covered with a durable powder coat. The Pro is quality-built in the USA, and ships as a complete, turnkey system with lockable, push-button operation. Just plug it in and turn it on. It doesn't require a technician or any special installation setup. All of Ideum's hardware is backed by a three-year manufacturer's warranty.

65"

**WEIGHT**  
286 LBS / 130 KG

**SHIP WEIGHT**  
491 LBS / 223 KG

**W/TRAVEL CASE**  
517 LBS / 234 KG



**Interactive Display**

- 3M™ projected capacitive touch screen
- 4K UHD (3840x2160) LCD display
- ±5 ms touch response time
- 80 touch points with palm rejection
- 65" diagonal, strengthened, anti-stiction, 4mm glass surface
- Two 10W integrated speakers

**Integrated PC System**

- Single push-button power
- Custom lockable enclosure
- Windows 10 (default), 8.1, or 7
- Universal 110-240V power system
- Stereo amplifier with two 90W Yamaha speakers

**STANDARD**

- Intel Core i7-6700K 4.2GHz processor
- GTX 1070 8GB DDR5 NVIDIA graphics card
- Micron M600 512GB SSD
- 16GB 2133MHz DDR4 RAM

**PERFORMANCE**

- Intel Core i7-6700K 4.2GHz processor
- GTX 1080 8GB DDR5X NVIDIA graphics card
- Dual Micron M600 512GB SSD
- 32GB 2133MHz DDR4 RAM

**Connectivity**

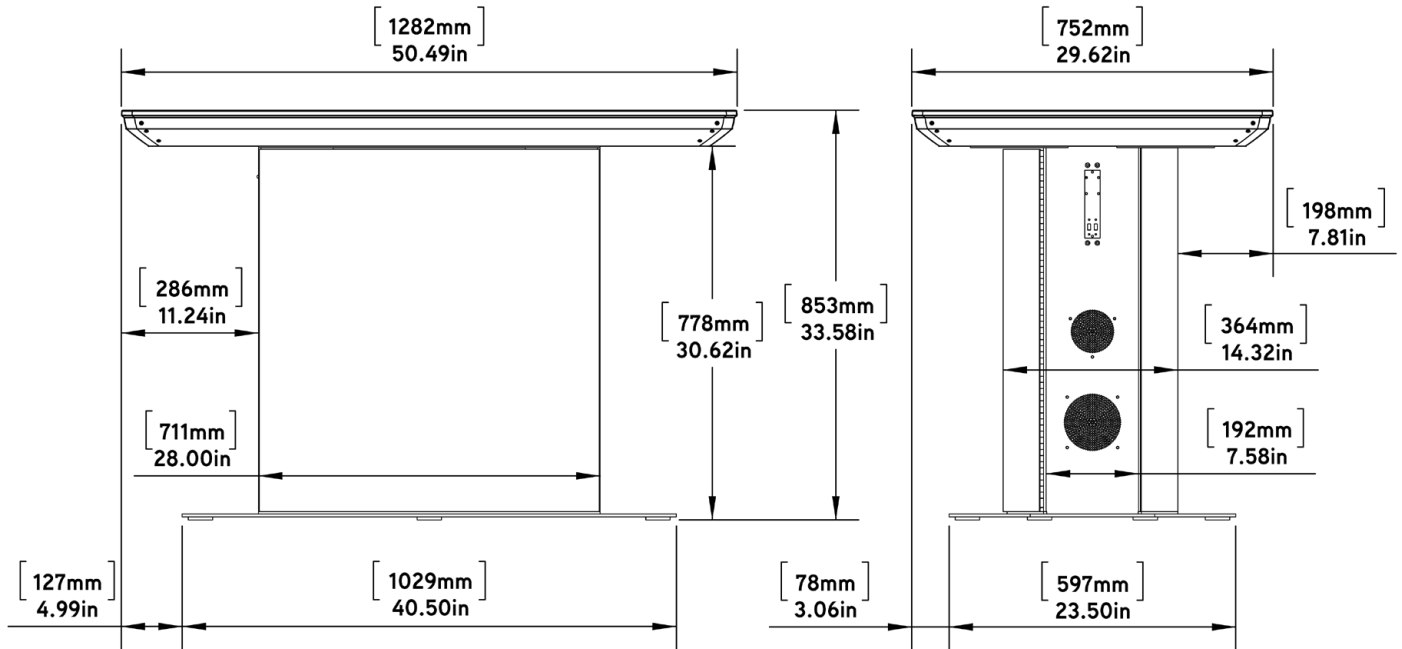
- WiFi 802.11 a/b/g/n, Ethernet, Bluetooth 4.0, RFID
- Direct access via USB ports
- Wireless keyboard with integrated trackpad

55"

**WEIGHT**  
240 LBS / 109 KG

**SHIP WEIGHT**  
400 LBS / 181 KG

**W/TRAVEL CASE**  
425 LBS / 193 KG



**Interactive Display**

- 3M™ projected capacitive touch screen
- 4K UHD (3840x2160) LCD display
- ±5 ms touch response time
- 80 touch points with palm rejection
- 55" diagonal, strengthened, anti-stiction, 4mm glass surface
- Two 10W integrated speakers

**Integrated PC System**

- Single push-button power
- Windows 10 (default), 8.1, or 7
- Universal 110-240V power system
- Stereo amplifier with two 90W Yamaha speakers

**STANDARD**

- Intel Core i7-6700K 4.2GHz processor
- GTX 1070 8GB DDR5 NVIDIA graphics card
- Micron M600 512GB SSD
- 16GB 2133MHz DDR4 RAM

**PERFORMANCE**

- Intel Core i7-6700K 4.2GHz processor
- GTX 1080 8GB DDR5X NVIDIA graphics card
- Dual Micron M600 512GB SSD
- 32GB 2133MHz DDR4 RAM

**Connectivity**

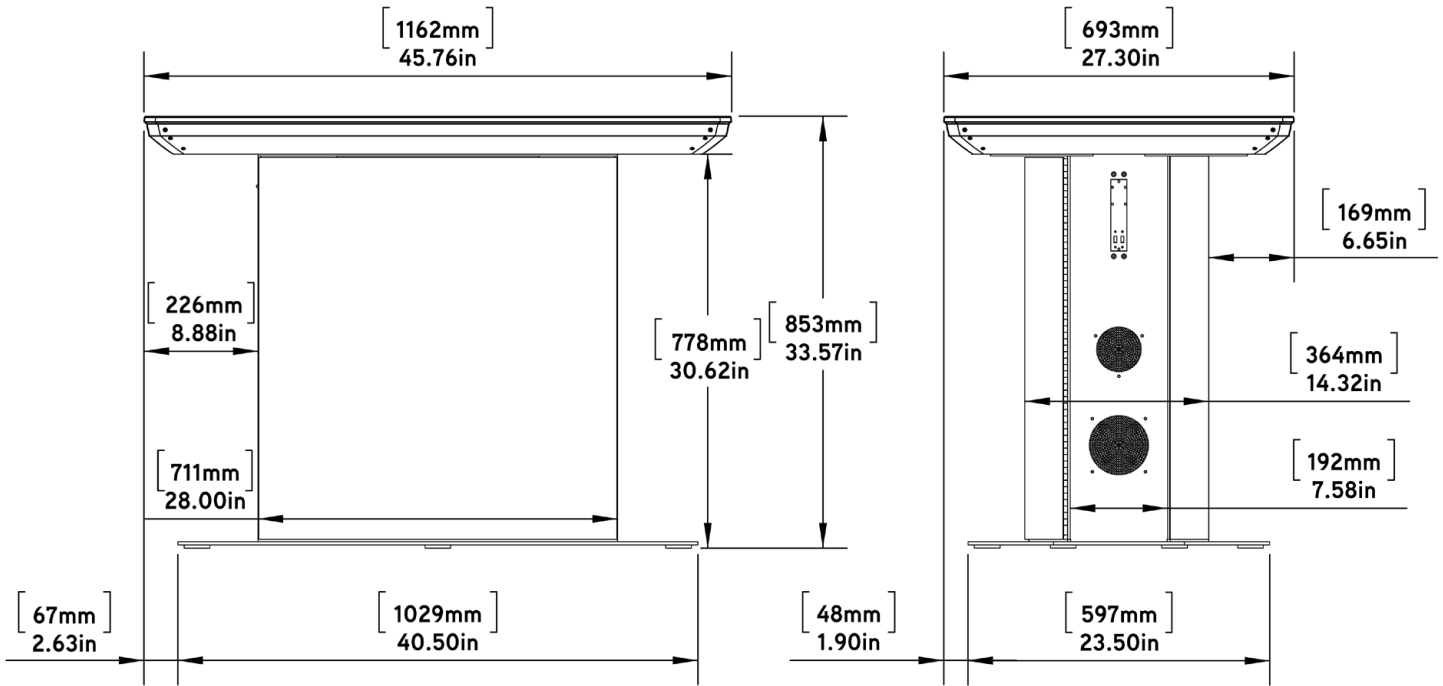
- WiFi 802.11 a/b/g/n, Ethernet, Bluetooth 4.0, RFID
- Wireless keyboard with integrated trackpad
- Direct access via USB ports
- HDMI Output (PC)

# 49"

**WEIGHT**  
230 LBS / 104 KG

**SHIP WEIGHT**  
390 LBS / 177 KG

**W/TRAVEL CASE**  
420 LBS / 190 KG



## Interactive Display

- 3M™ projected capacitive touch screen
- 4K UHD (3840x2160) LCD display
- ±5 ms touch response time
- 80 touch points with palm rejection
- 49" diagonal, strengthened, anti-stiction, 4mm glass surface
- Two 10W integrated speakers

## Integrated PC System

- Single push-button power
- Windows 10 (default), 8.1, or 7
- Universal 110-240V power system
- Stereo amplifier with two 90W Yamaha speakers

### STANDARD

- Intel Core i7-6700K 4.2GHz processor
- GTX 1070 8GB DDR5 NVIDIA graphics card
- Micron M600 512GB SSD
- 16GB 2133MHz DDR4 RAM

### PERFORMANCE

- Intel Core i7-6700K 4.2GHz processor
- GTX 1080 8GB DDR5X NVIDIA graphics card
- Dual Micron M600 512GB SSD
- 32GB 2133MHz DDR4 RAM

## Connectivity

- WiFi 802.11 a/b/g/n, Ethernet, Bluetooth 4.0, RFID
- Wireless keyboard with integrated trackpad
- Direct access via USB ports
- HDMI Output (PC)
- Audio output via 1/8" audio jack

# Customization

---

## Color



Available in hundreds of RAL color and finish options. (+ 2-4 weeks additional lead time)

---

## ATA Flight Case



Reusable travel case with locking casters and locking latch clasps.

---

## Pro Lab Upgrade



Configure with 24TB of removable storage, 32GB RAM, and 16x SuperMulti DVD-RW optical drive

The Colossus, Pano, Pro, Platform, and Duet Touch Tables, and Presenter Touch Walls from Ideum are designed, manufactured, and assembled in the USA.

Compliant with height requirements for the Americans with Disabilities Act standards for accessibility.



3M™ is a trademark of 3M Company.

# About Ideum

Ideum is a creative company based in Corrales, New Mexico. We offer exhibit design and software development services to museums, nonprofits, and socially responsible companies. Please contact us at (505) 792-1110 ext.1 or toll free in the US and Canada (855) 898-6824, use our online inquiry form, or email us at sales@ideum.com. Our multitouch products are sold domestically and internationally.

---

## Tangible Authoring



**The Pro multitouch table supports the Tangible Engine 1.5 object recognition SDK.**

Tangible Engine 1.5 is an authoring environment supporting the use of fiducial object recognition on Ideum multitouch tables. This software allows for the unique recognition of objects with 3D printed conductive patterns. Available for purchase, Tangible Engine 1.5 includes test objects, a Visualizer / Configurator Tool, an SDK, and documentation for the software and for printing unique 3D object. More information can be found at: [tangibleengine.com](http://tangibleengine.com)

---

## Multitouch Authoring



**Ideum multitouch products include a free, lifetime license of GestureWorks 2.**

GestureWorks 2 is a multitouch authoring solution that works with C++ and Unity3D. It has nine basic built-in gestures but supports hundred more using the extensible Gesture Markup Language. Licenses include ticketed, timely support (one year is included free\*) and free upgrades for life. More information can be found at: [gestureworks.com](http://gestureworks.com)

### WARRANTY & SUPPORT

Our products are custom built with only the highest-quality components available and are designed to last. We back all of our hardware with a three-year warranty. The same people who design and build our systems provide our timely support.

*\*Support hours provide dedicated time to troubleshoot any issues that may pertain to our software. Support hours are valid for the first year of purchase only. Additional annual support packages can be purchased as needed at an additional price. However, the Pro and Site Licenses are lifetime licenses. Please see our License Agreement for full details: <http://gestureworks.com/legal>*

IMPORTANT NOTICE TO PURCHASER: Specifications are subject to change without notice. Ideum hardware and software are warranted from the ship date to the period stated in the warranty. Please note that under Ideum's warranty, Ideum has no obligation for any hardware product that is modified or damaged through misuse, accident, neglect, or subsequent integration, service, or tampering, by anyone other than Ideum or an Ideum-approved entity or individual. Ideum makes no additional warranties, express or implied, including but not limited to any fitness for a particular purpose. The User is responsible for determining whether Ideum hardware products or software are fit for the

User's particular purpose. If the hardware product or software are proven not to have met Ideum's warranty, then Ideum's sole obligation and User's and Purchaser's exclusive remedy, will be, at Ideum's option, to repair or replace the product or refund its purchase price. Ideum shall not be liable in any action against it in any way related to the hardware products or software for any loss or damages, whether non-specified, direct, indirect, special, incidental or consequential (including downtime, loss of profits or goodwill) regardless of the legal theory asserted. Please see our full warranty for complete details.