



Platform Classic 43", 49", 55", & 65"

Specifications Sheet

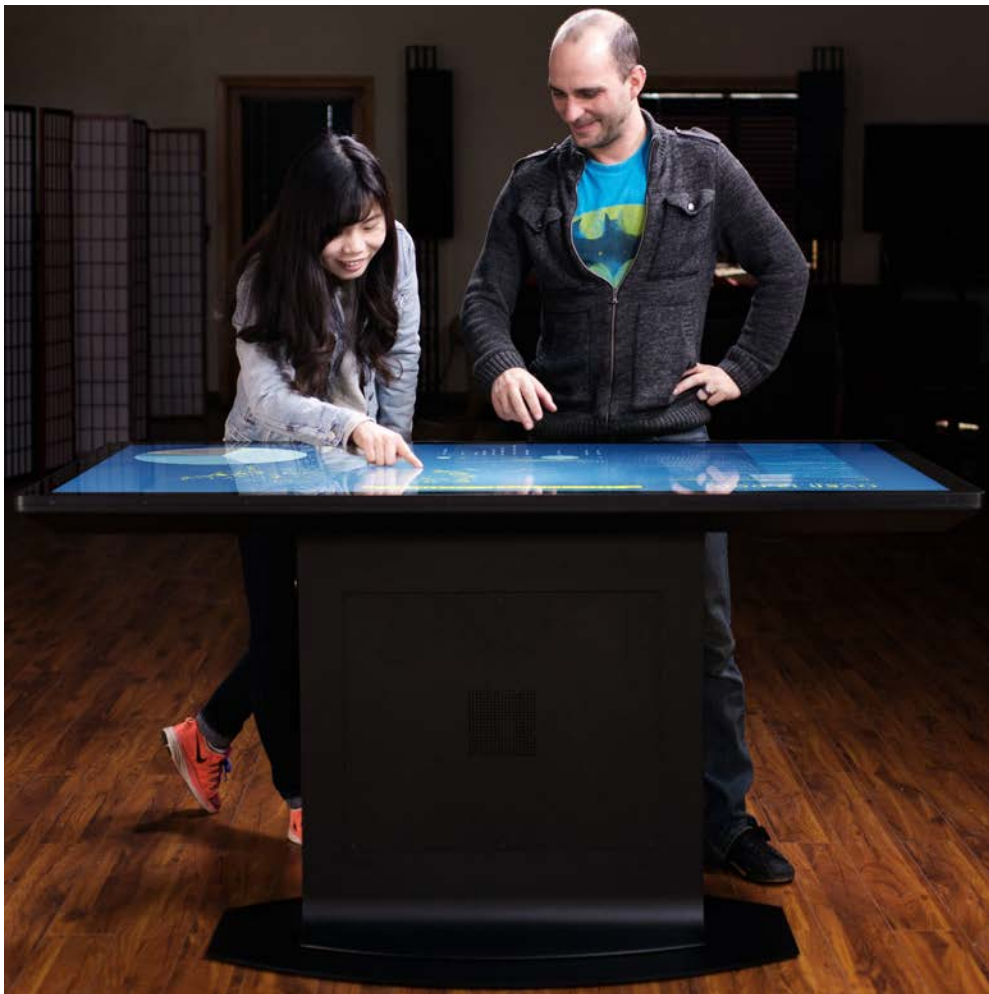


The Platform Classic is the flagship line of ruggedized multitouch tables from Ideum. All of our models have 4K Ultra High Definition (UHD) displays and industry-leading touch technology from 3M™ with support for 80 touch points. The Platform Classic comes complete with a full-featured and powerful integrated 8th Gen Intel® Core™ processor, the latest NVIDIA™ discrete graphics cards, and single push-button power.



PLATFORM CLASSIC ■ Specifications Sheet

The Platform Classic's beautiful design is also incredibly tough. Its sleek lines are forged out of aircraft-grade aluminum and covered with a durable powder coat. The Platform Classic is quality-built in the USA, and ships as a complete, turnkey system with lockable, push-button operation. Just plug it in and turn it on. It doesn't require a technician or any special installation setup. All of Ideum's hardware is backed by a three-year manufacturer's warranty.



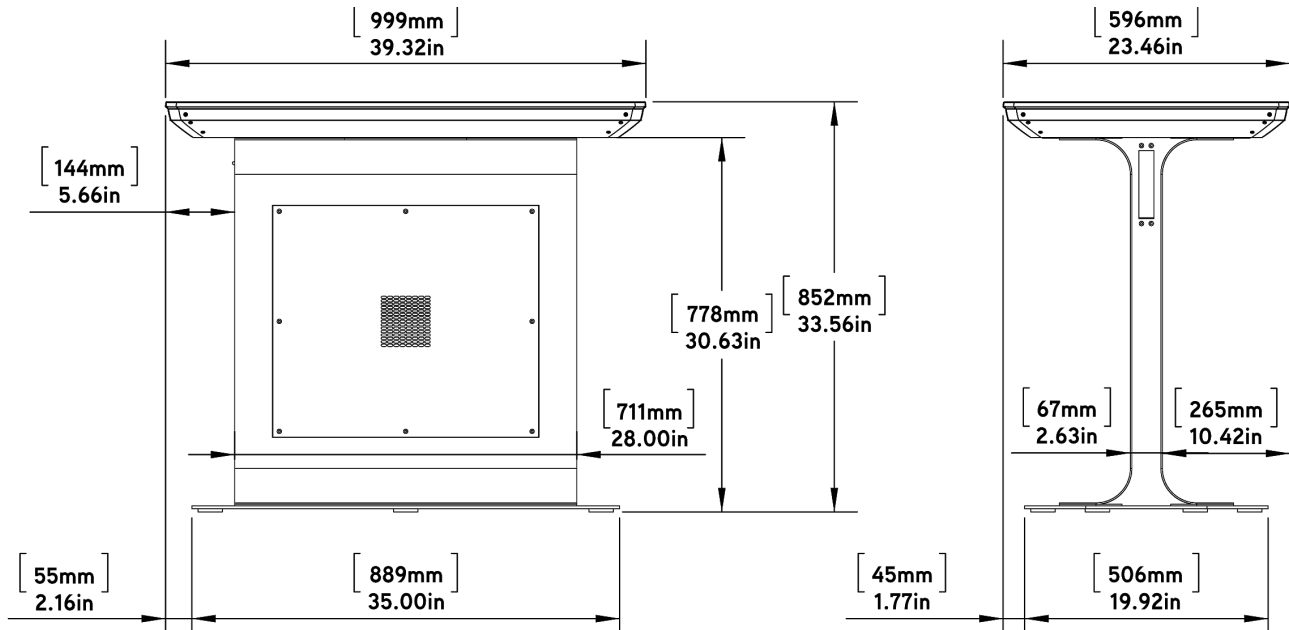
43"

WEIGHT
161* LBS / 73 KG

SHIP WEIGHT
291* LBS / 132 KG

W/ TRAVEL CASE
390* LBS / 177 KG

*Weights may vary slightly.



Interactive Display

- 3M™ projected capacitive touch screen
- 4K UHD (3840x2160) LCD display
- ±5 ms touch response time
- 80 touch points with palm rejection
- Two 10W integrated speakers
- 43" diagonal, strengthened, anti-stiction, 4mm glass surface
- Native contrast ratio 1100:1
- 350 nit (cd/m2) luminance

Integrated System

- Single push-button power
- Custom lockable enclosure
- Windows 10
- Universal 110-240V power system
- **STANDARD**
 - Intel 8th Gen Core i5-8400 processor
 - GTX 1070 8GB DDR5 NVIDIA graphics card
 - 250GB NVMe M.2 SSD
 - 16GB 2400MHz DDR4 RAM
- **PERFORMANCE**
 - Intel 8th Gen Core i7-8700 processor
 - GTX 1080 8GB DDR5X NVIDIA graphics card
 - Dual 250GB NVMe M.2 SSD
 - 32GB 2400MHz DDR4 RAM

Connectivity

- TPM/TPP compatible for secure environments
- WiFi 802.11 a/b/g/n/ac, Ethernet, Bluetooth 5.0, RFID
- Wireless keyboard with integrated trackpad
- Direct access via USB ports
- Audio output via 1/8" audio jack
- HDMI Output (PC)
- Communication hardware can be removed upon request for secure environments

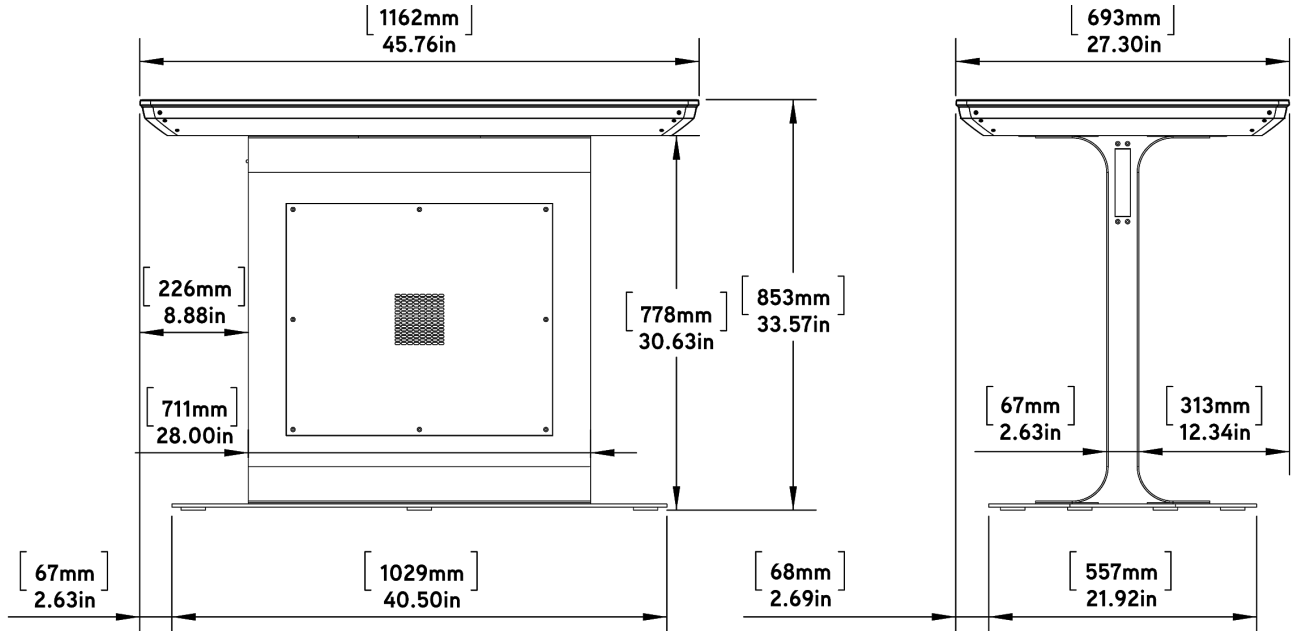
49"

WEIGHT
173* LBS / 78 KG

SHIP WEIGHT
335* LBS / 152 KG

W/ TRAVEL CASE
455* LBS / 207 KG

*Weights may vary slightly.



Interactive Display

- 3M™ projected capacitive touch screen
- 4K UHD (3840x2160) LCD display
- ±5 ms touch response time
- 80 touch points with palm rejection
- Two 10W integrated speakers
- 49" diagonal, strengthened, anti-stiction, 4mm glass surface
- Native contrast ratio 1100:1
- 500 nit (cd/m2) luminance

Integrated System

- Single push-button power
- Custom lockable enclosure
- Windows 10
- Universal 110-240V power system
- STANDARD**
 - Intel 8th Gen Core i5-8400 processor
 - GTX 1070 8GB DDR5 NVIDIA graphics card
 - 250GB NVMe M.2 SSD
 - 16GB 2400MHz DDR4 RAM
- PERFORMANCE**
 - Intel 8th Gen Core i7-8700 processor
 - GTX 1080 8GB DDR5X NVIDIA graphics card
 - Dual 250GB NVMe M.2 SSD
 - 32GB 2400MHz DDR4 RAM

Connectivity

- TPM/TPP compatible for secure environments
- WiFi 802.11 a/b/g/n/ac, Ethernet, Bluetooth 5.0, RFID
- Wireless keyboard with integrated trackpad
- Direct access via USB ports
- Audio output via 1/8" audio jack
- HDMI Output (PC)
- Communication hardware can be removed upon request for secure environments

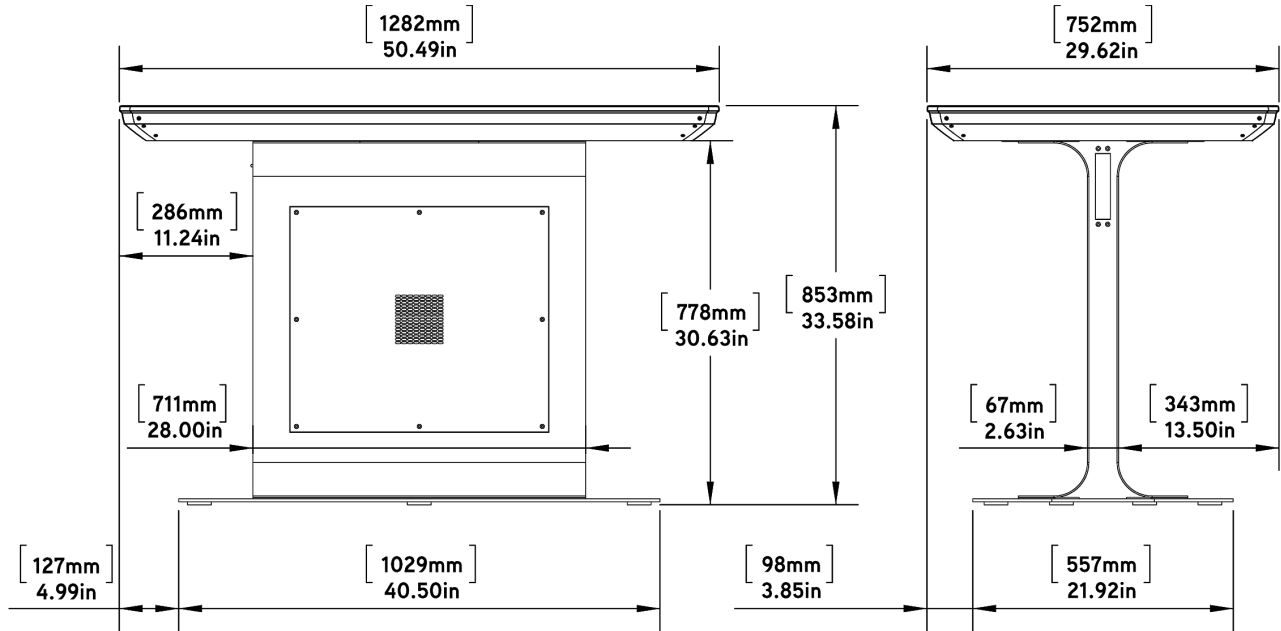
55"

WEIGHT
180* LBS / 82 KG

SHIP WEIGHT
352* LBS / 160 KG

W/ TRAVEL CASE
410* LBS / 186 KG

*Weights may vary slightly.



Interactive Display

- 3M™ projected capacitive touch screen
- 4K UHD (3840x2160) LCD display
- ±5 ms touch response time
- 80 touch points with palm rejection
- Two 10W integrated speakers
- 55" diagonal, strengthened, anti-stiction, 4mm glass surface
- Native contrast ratio 1100:1
- 500 nit (cd/m2) luminance

Integrated System

- Single push-button power
- Custom lockable enclosure
- Windows 10
- Universal 110-240V power system
- **STANDARD**
 - Intel 8th Gen Core i5-8400 processor
 - GTX 1070 8GB DDR5 NVIDIA graphics card
 - 250GB NVMe M.2 SSD
 - 16GB 2400MHz DDR4 RAM
- **PERFORMANCE**
 - Intel 8th Gen Core i7-8700 processor
 - GTX 1080 8GB DDR5X NVIDIA graphics card
 - Dual 250GB NVMe M.2 SSD
 - 32GB 2400MHz DDR4 RAM

Connectivity

- TPM/TPP compatible for secure environments
- WiFi 802.11 a/b/g/n/ac, Ethernet, Bluetooth 5.0, RFID
- Wireless keyboard with integrated trackpad
- Direct access via USB ports
- Audio output via 1/8" audio jack
- HDMI Output (PC)
- Communication hardware can be removed upon request for secure environments

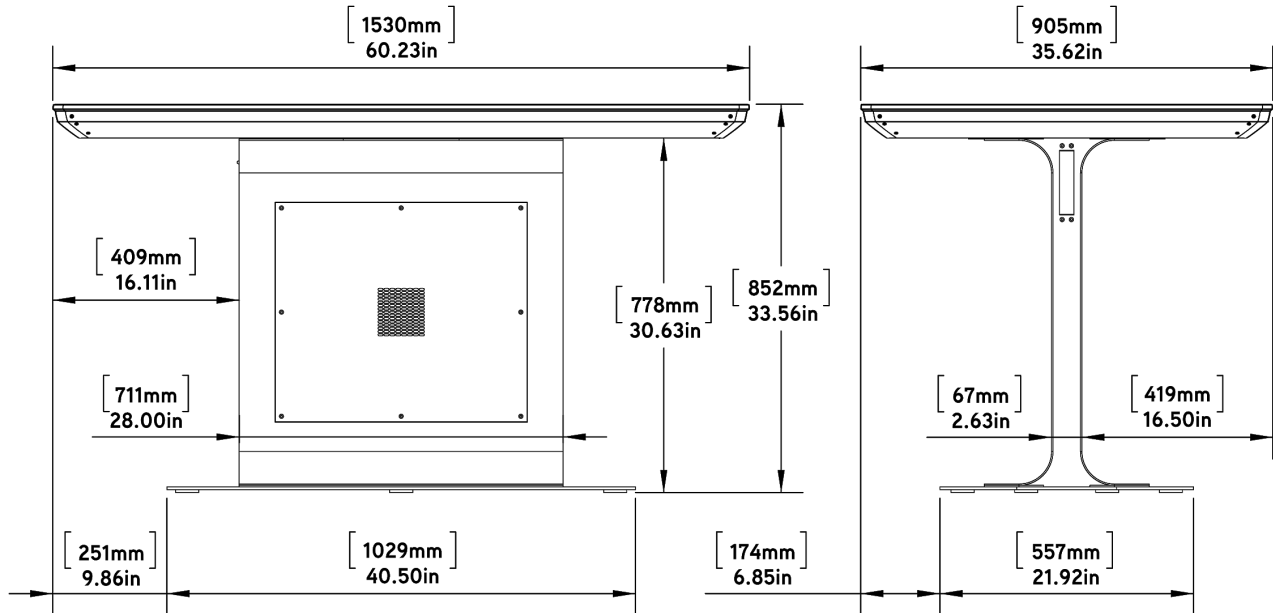
65"

WEIGHT
250* LBS / 114 KG

SHIP WEIGHT
426* LBS / 193 KG

W/ TRAVEL CASE
530* LBS / 241 KG

*Weights may vary slightly.



Interactive Display

- 3M™ projected capacitive touch screen
- 4K UHD (3840x2160) LCD display
- ±5 ms touch response time
- 80 touch points with palm rejection
- Two 10W integrated speakers
- 65" diagonal, strengthened, anti-stiction, 4mm glass surface
- Native contrast ratio 1100:1
- 500 nit (cd/m2) luminance

Integrated System

- Single push-button power
- Custom lockable enclosure
- Windows 10
- Universal 110-240V power system
- **STANDARD**
 - Intel 8th Gen Core i5-8400 processor
 - GTX 1070 8GB DDR5 NVIDIA graphics card
 - 250GB NVMe M.2 SSD
 - 16GB 2400MHz DDR4 RAM
- **PERFORMANCE**
 - Intel 8th Gen Core i7-8700 processor
 - GTX 1080 8GB DDR5X NVIDIA graphics card
 - Dual 250GB NVMe M.2 SSD
 - 32GB 2400MHz DDR4 RAM

Connectivity

- TPM/TPP compatible for secure environments
- WiFi 802.11 a/b/g/n/ac, Ethernet, Bluetooth 5.0, RFID
- Wireless keyboard with integrated trackpad
- Direct access via USB ports
- Audio output via 1/8" audio jack
- HDMI Output (PC)
- Communication hardware can be removed upon request for secure environments

Customizations

Colors & Finishes



Available in hundreds of RAL color and finish options. (+ 2-4 weeks additional lead time)

ATA Flight Case



Reusable travel case with locking casters and locking latch clasps.

Clip-on Casters



These sturdy and stylish mounted wheels make it easy to rearrange your space to accommodate additional exhibits, optimize visitor flow, and fine-tune lighting and viewing conditions.

The Colossus, Pano, Pro, Platform Classic, Pico, and Duet touch tables, and the Portrait and Presenter touch walls from Ideum are designed, manufactured, and assembled in the USA.

Compliant with height requirements for the Americans with Disabilities Act standards for accessibility.

3M™ is a trademark of 3M Company.

What's Inside

Our touch tables and touch walls include the best performing, most reliable components available.

4K UHD (3840x2160)
Commercial LCD Display

PCAP touch sensor with
80 touch points

GTX 10 Series NVIDIA™
graphics card

8th Gen Intel® Core™
Processor

Aircraft-grade aluminum
made in the USA.



Software

Ideum uses innovative software design to tell stories that evoke wonder and spur curiosity about the world around us. Our expertise in a broad range of programming environments allows our work to span the realms of informal and formal education, interactive technology, gaming, art, and entertainment.



Tangible Authoring

Ideum multitouch tables support the Tangible Engine 2.0 object recognition SDK.

Tangible Engine 2 is an authoring environment supporting the use of fiducial object recognition on Ideum multitouch tables. This software allows for the unique recognition of objects with 3D printed conductive patterns. Available for purchase, Tangible Engine 2. includes test objects, a Visualizer / Configurator Tool, an SDK, and documentation for the software and for printing unique 3D object.

Pricing and more information can be found at: tangibleengine.com



Multitouch Authoring

Ideum multitouch products include a free, lifetime license of GestureWorks 2.

GestureWorks 2 is a multitouch authoring solution that works with C++ and Unity3D. It has nine basic built-in gestures but supports hundred more using the extensible Gesture Markup Language. Licenses include ticketed, timely support*, and free upgrades for life.

More information can be found at: gestureworks.com



RFID Utility

Ideum multitouch products include an RFID utility for enhanced functionality.

Our new and improved RFID software allows you to automate system tasks, launch and switch applications, and more with a single movement. This useful utility is free for Ideum touch table owners.

Learn more at: ideum.com/news/rfid-reader-app

**Support hours provide dedicated time to troubleshoot any issues that may pertain to our software. Four hours of support are included free. Support hours are valid for the first year of purchase only. Additional annual support packages can be purchased as needed at an additional price. However, the Pro and Site Licenses are lifetime licenses. Please see our License Agreement for full details: <http://gestureworks.com/legal>*

About Ideum

Ideum is a creative company based in Corrales, New Mexico USA. We offer exhibit design and software development services to museums, nonprofits, and socially responsible companies. Please contact us at (505) 792-1110 ext.1 or toll free in the US and Canada (855) 898-6824, use our online inquiry form, or email us at sales@ideum.com. Our multitouch tables are sold domestically and internationally.

WARRANTY & SUPPORT

Our products are custom built with only the highest-quality components available and are designed to last. We back all of our hardware with a three- year warranty. The same people who design and build our systems provide our timely support.

IMPORTANT NOTICE TO PURCHASER: Specifications are subject to change without notice. Ideum hardware and software are warrantied from the ship date to the period stated in the warranty. Please note that under Ideum's warranty, Ideum has no obligation for any hardware product that is modified or damaged through misuse, accident, neglect, or subsequent integration, service, or tampering, by anyone other than Ideum or an Ideum-approved entity or individual. Ideum makes no additional warranties, express or implied, including but not limited to any fitness for a particular purpose. The User is responsible for determining whether Ideum hardware products or software are fit for the User's particular purpose. If the hardware product or software are proven not to have met Ideum's warranty, then Ideum's sole obligation and User's and Purchaser's exclusive remedy, will be, at Ideum's option, to repair or replace the product or refund its purchase price. Ideum shall not be liable in any action against it in any way related to the hardware products or software for any loss or damages, whether non-specified, direct, indirect, special, incidental or consequential (including downtime, loss of profits or goodwill) regardless of the legal theory asserted. Please see our full warranty for complete details.