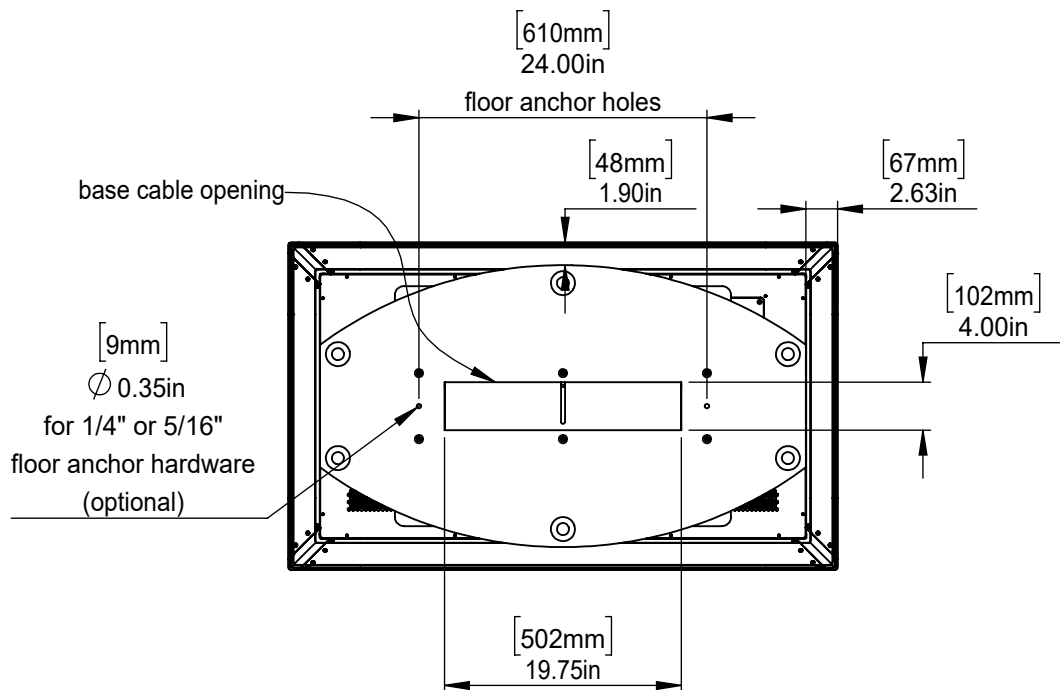
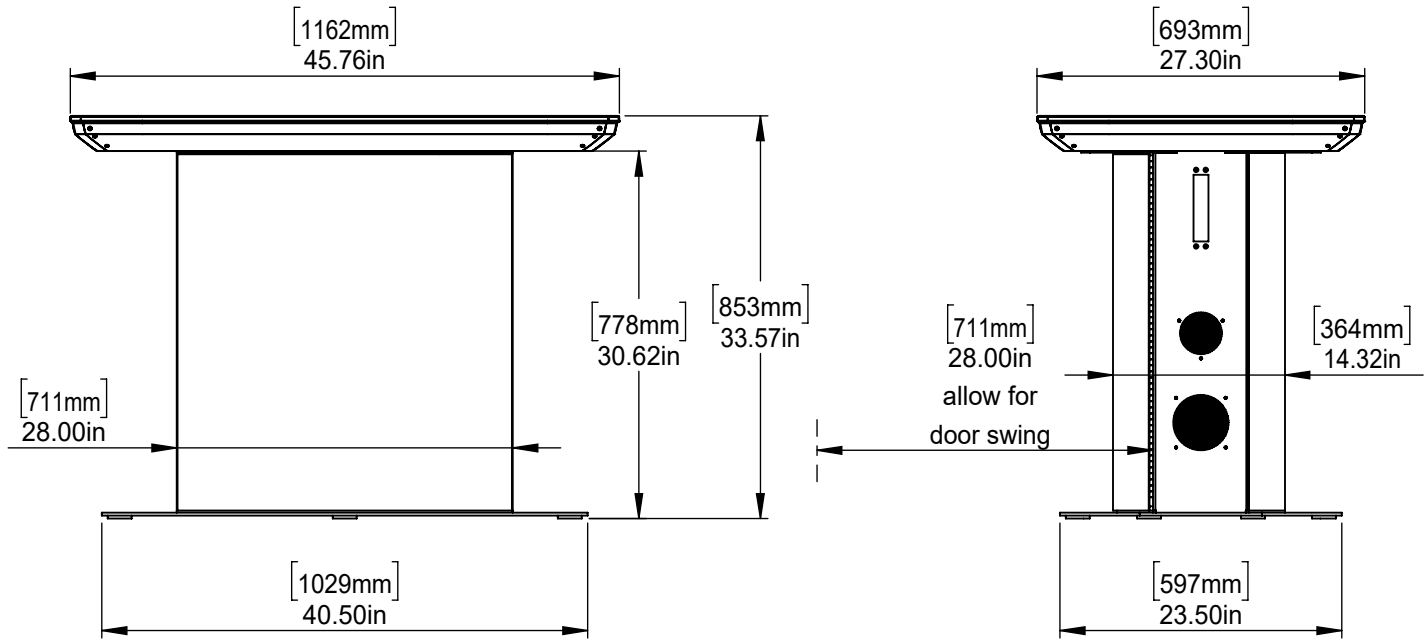


Pro - 43



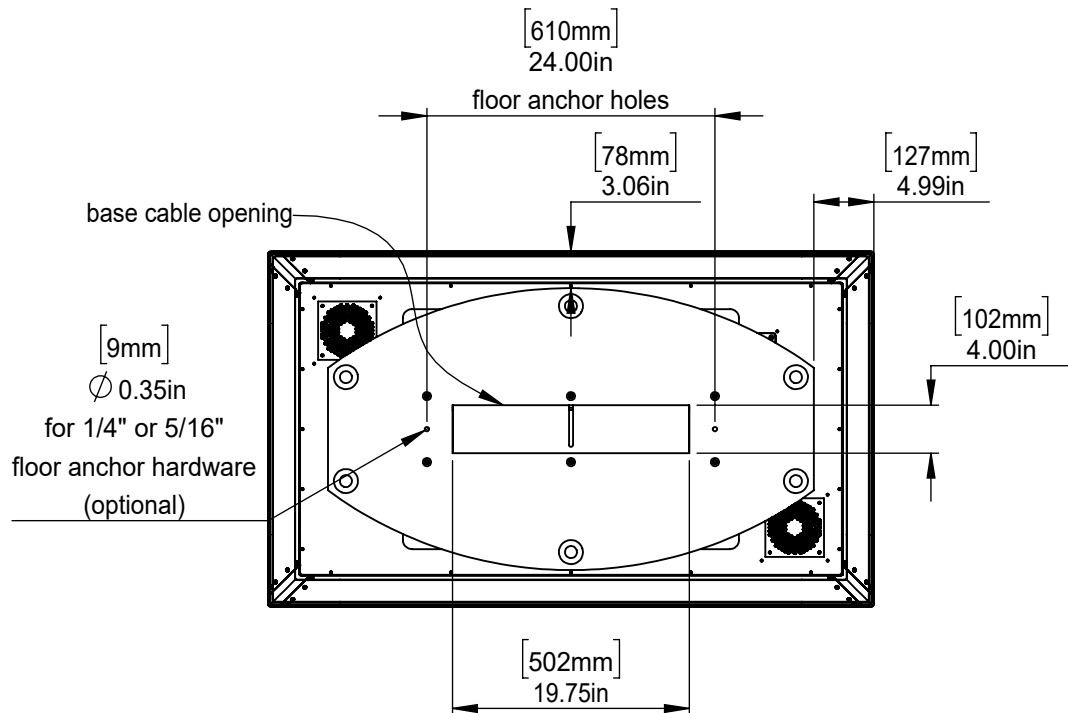
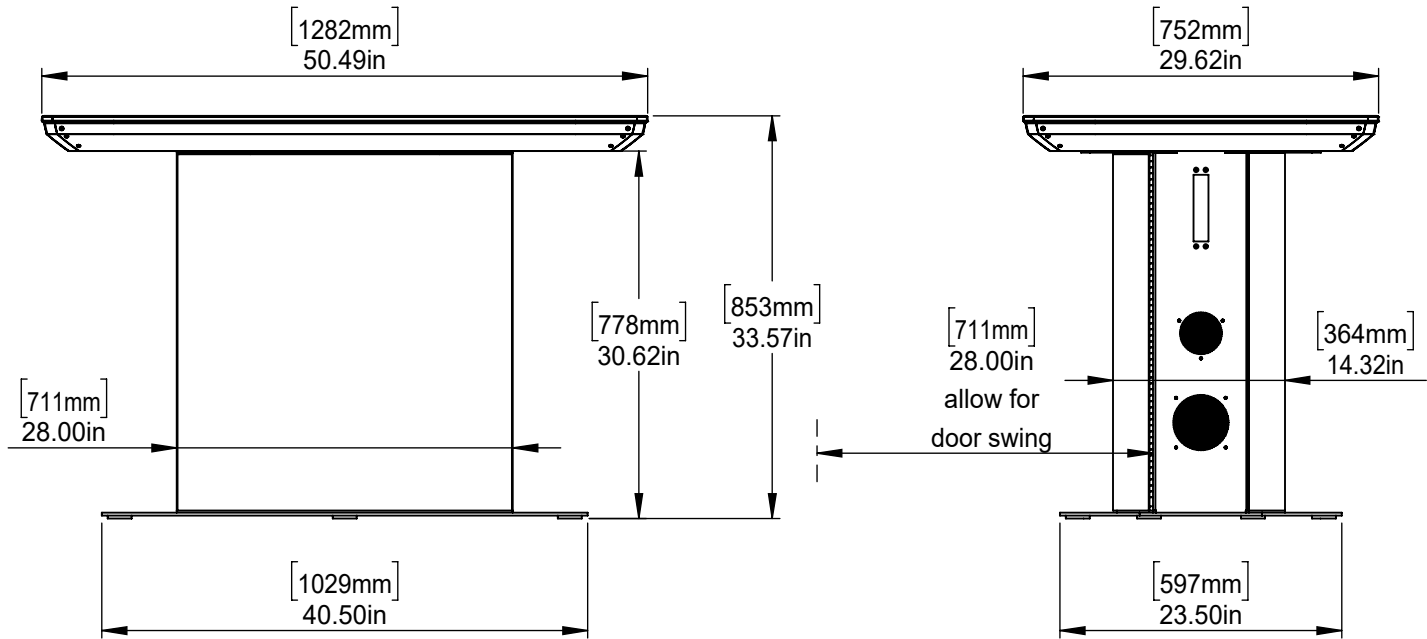
Property of Ideum

Ideum

This document contains proprietary and patented information about Ideum products. This document can be shared or posted outside of (ideum.com) without written authorization from Ideum.
(US patent 10,225,509)

Corrales, NM USA
www.ideum.com
info@ideum.com
505-792-1110 ext 1.

Pro - 55



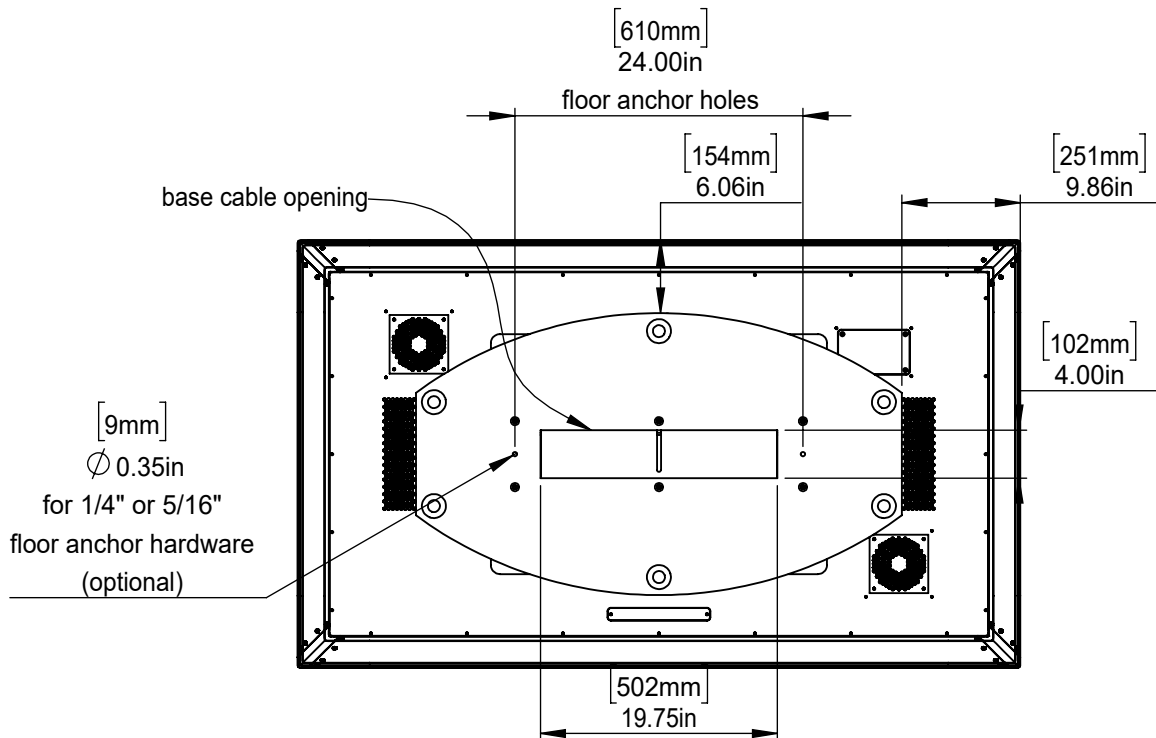
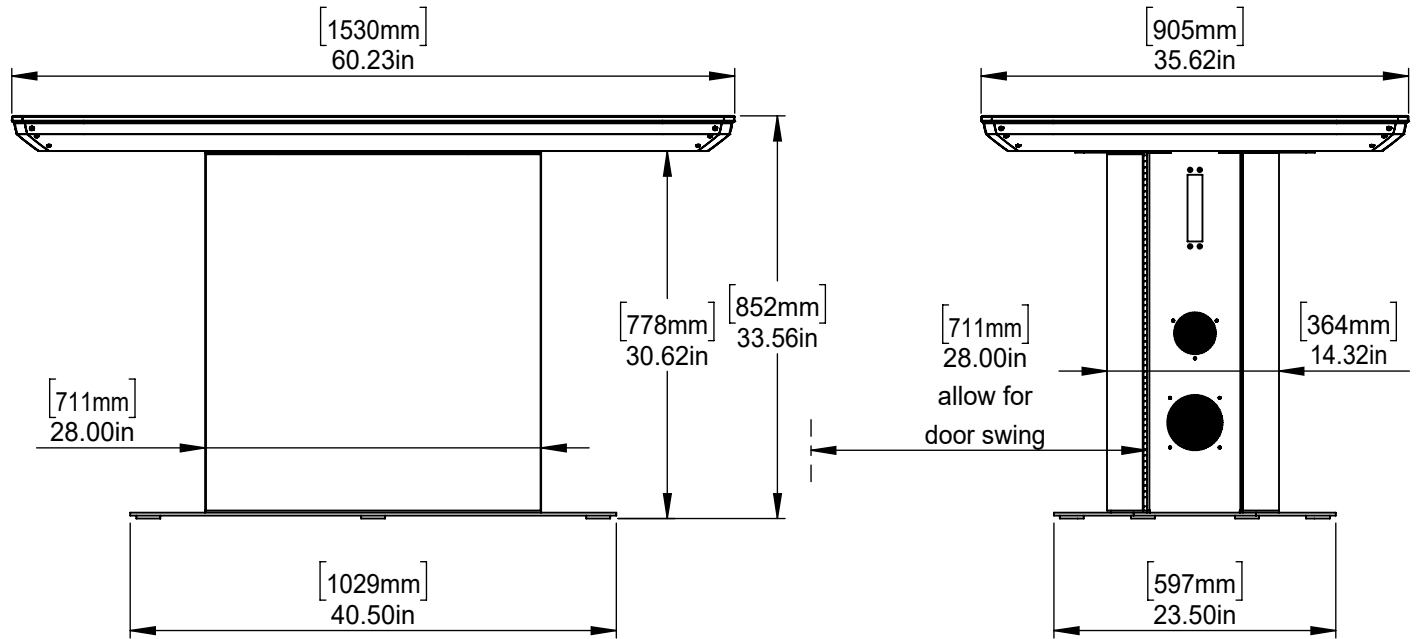
Property of Ideum

Ideum

This document contains proprietary and patented information about Ideum products. This document can be shared or posted outside of (ideum.com) without written authorization from Ideum.
(US patent 10,225,509)

Corrales, NM USA
 www.ideum.com
 info@ideum.com
 505-792-1110 ext 1.

Pro - 65



Property of Ideum

Ideum

This document contains proprietary and patented information about Ideum products. This document can be shared or posted outside of (ideum.com) without written authorization from Ideum.
(US patent 10,225,509)

Corrales, NM USA
www.ideum.com
info@ideum.com
505-792-1110 ext 1.