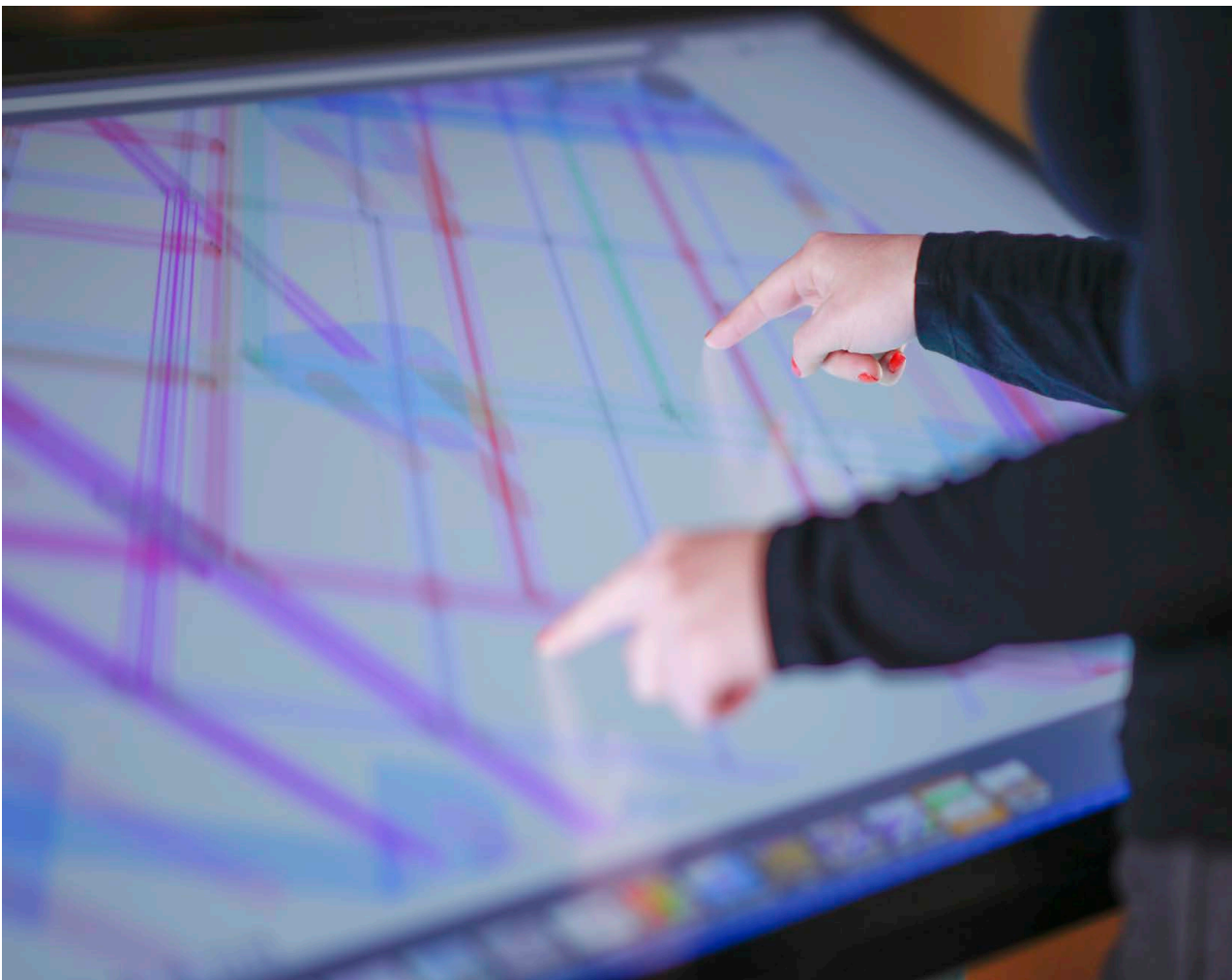


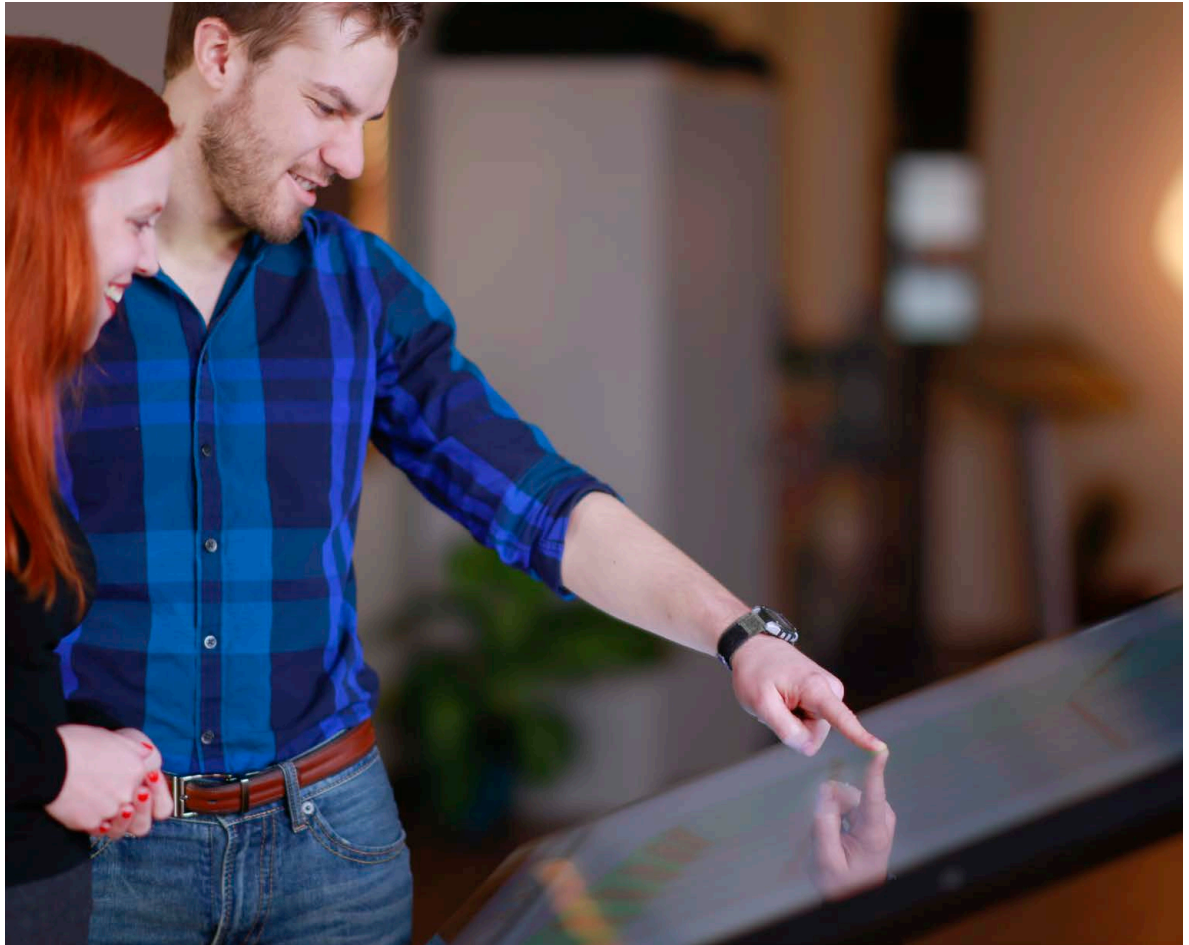
Drafting

Specifications



The Drafting Table is a complete ruggedized 4K Ultra HD multitouch table. It features an angled display and industry-leading touch technology from 3M™ with support for 80 touch points. The Drafting Table is equipped with a powerful integrated Intel™ i7 quad core computer, the latest NVIDIA™ discrete graphics cards, and single push-button power.





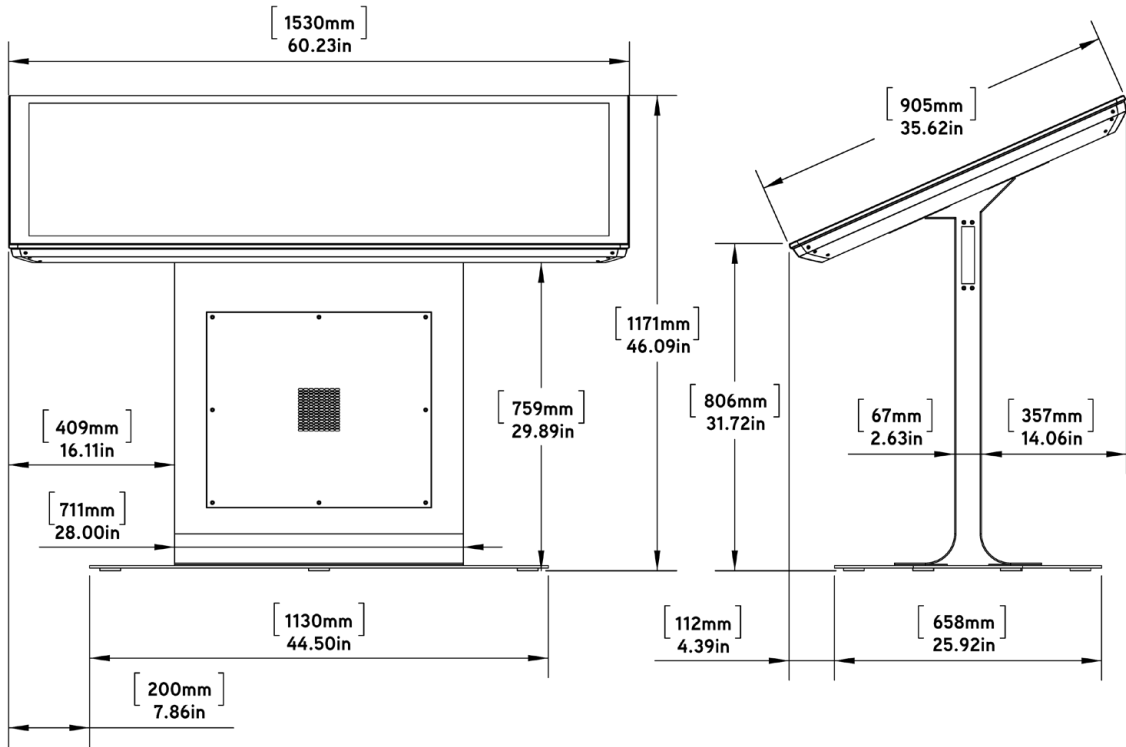
The Drafting Table's beautiful design is also incredibly tough. Its sleek lines are forged out of aircraft-grade aluminum and covered with a durable powder coat. The Drafting Table is quality-built in the USA, and ships as a complete, turnkey system with lockable, push-button operation. Just plug it in and turn it on. It doesn't require a technician or any special installation setup. All of Ideum's hardware is backed by a three-year manufacturer's warranty.

65"

WEIGHT
240 LBS / 109 KG

SHIP WEIGHT
455 LBS / 206 KG

W/TRAVEL CASE
510 LBS / 231 KG



Interactive Display

- 3M™ projected capacitive touch screen
- 4K UHD (3840x2160) LCD display
- ±5 ms touch response time
- 80 touch points with palm rejection
- 65" diagonal, strengthened, anti-stiction, 4mm glass surface
- Two 10W integrated speakers

Integrated PC System

- Single push-button power
- Custom lockable enclosure
- Windows 10 (default), 8.1, or 7
- Universal 110-240V power system

STANDARD

- Intel Core i7-6700K 4.2GHz processor
- GTX 1070 8GB DDR5 NVIDIA graphics card
- Micron M600 512GB SSD
- 16GB 2133MHz DDR4 RAM

PERFORMANCE

- Intel Core i7-6700K 4.2GHz processor
- GTX 1080 8GB DDR5X NVIDIA graphics card
- Dual Micron M600 512GB SSD
- 32GB 2133MHz DDR4 RAM

Connectivity

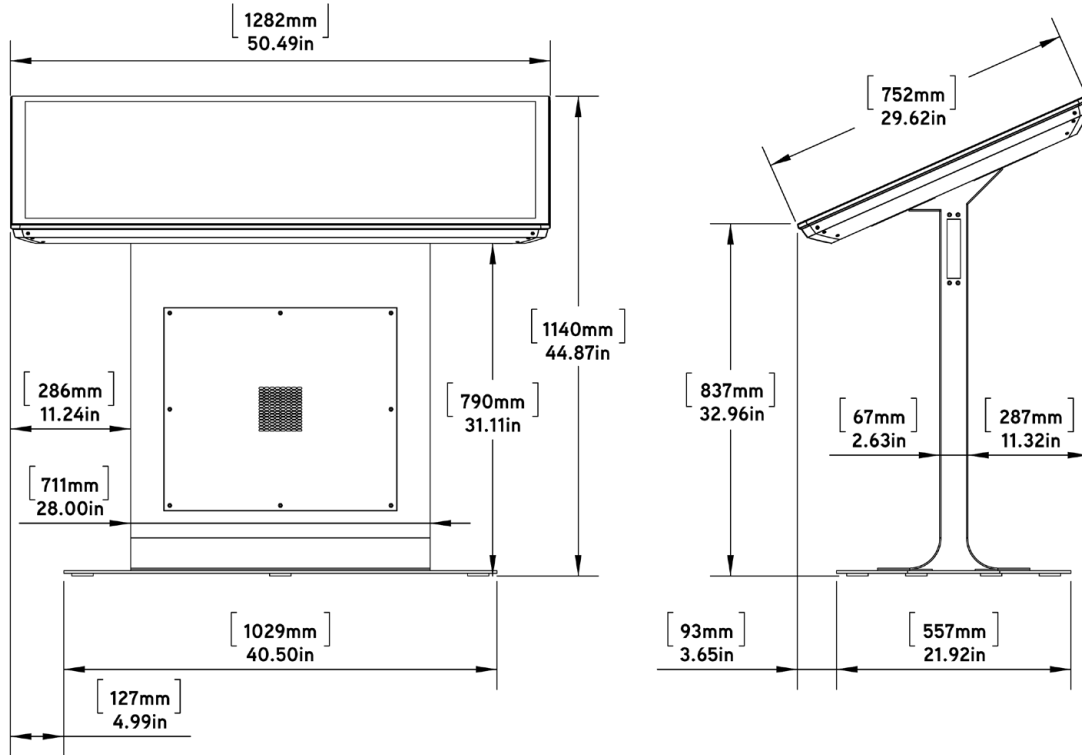
- WiFi 802.11 a/b/g/n, Ethernet, Bluetooth 4.0, RFID
- Wireless keyboard with integrated trackpad
- Direct access via USB ports
- Audio output via 1/8" audio jack
- HDMI Output (PC)
- Communication hardware can be removed upon request for secure environments

55"

WEIGHT
200 LBS / 91 KG

SHIP WEIGHT
380 LBS / 172 KG

W/TRAVEL CASE
450 LBS / 204 KG



Interactive Display

- 3M™ projected-capacitive touch screen
- 4K UHD (3840x2160) LCD display
- ±5 ms touch response time
- 80 touch points with palm rejection
- 55" diagonal, strengthened, anti-stiction, 4mm glass surface
- Two 10W integrated speakers

Integrated PC System

- Single push-button power
- Custom lockable enclosure
- Windows 10 (default), 8.1, or 7
- Universal 110-240V power system

STANDARD

- Intel Core i7-6700K 4.2GHz processor
- GTX 1070 8GB DDR5 NVIDIA graphics card
- Micron M600 512GB SSD
- 16GB 2133MHz DDR4 RAM

PERFORMANCE

- Intel Core i7-6700K 4.2GHz processor
- GTX 1080 8GB DDR5X NVIDIA graphics card
- Dual Micron M600 512GB SSD
- 32GB 2133MHz DDR4 RAM

Connectivity

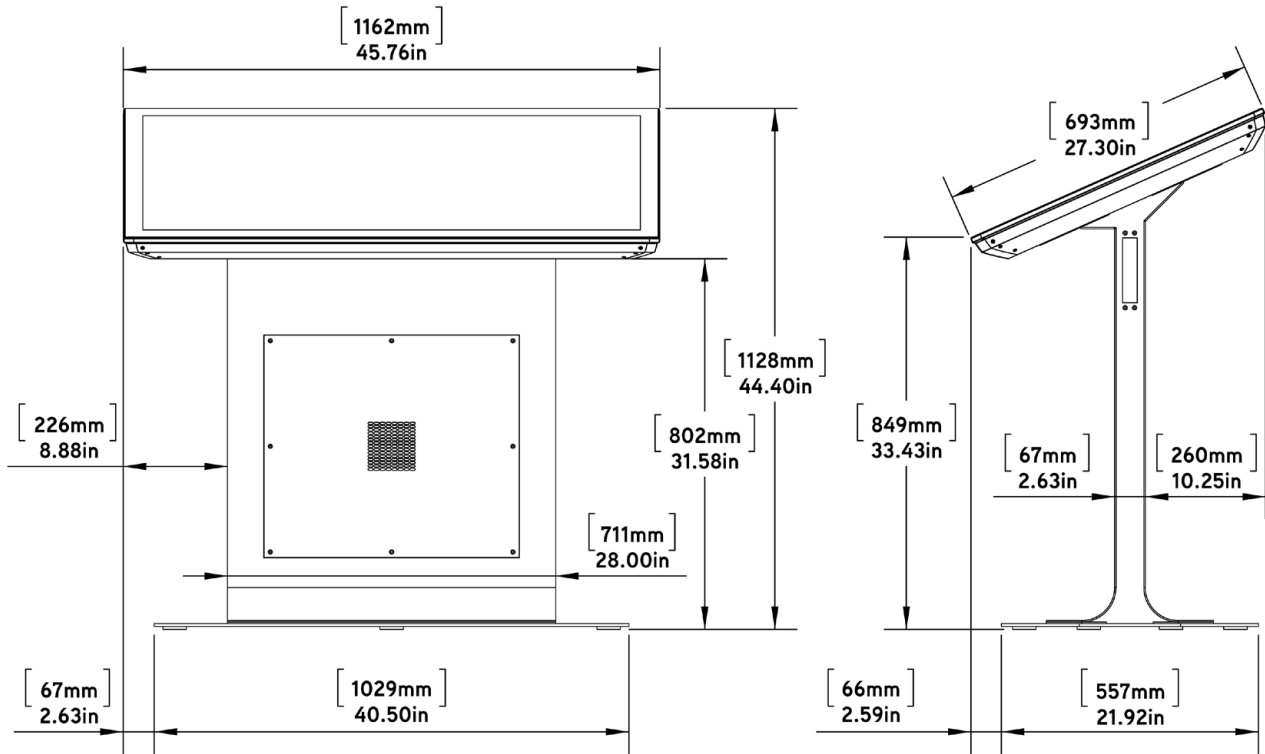
- WiFi 802.11 a/b/g/n, Ethernet, Bluetooth 4.0, RFID
- Wireless keyboard with integrated trackpad
- Direct access via USB ports
- Audio output via 1/8" audio jack
- HDMI Output (PC)
- Communication hardware can be removed upon request for secure environments

49"

WEIGHT
169 LBS / 77 KG

SHIP WEIGHT
330 LBS / 150 KG

W/TRAVEL CASE
420 LBS / 190 KG



Interactive Display

- 3M™ projected capacitive touch screen
- 4K UHD (3840x2160) LCD display
- ±5 ms touch response time
- 80 touch points with palm rejection
- 49" diagonal, strengthened, anti-stiction, 4mm glass surface
- Two 10W integrated speakers

Integrated PC System

- Single push-button power
- Custom lockable enclosure
- Windows 10 (default), 8.1, or 7
- Universal 110-240V power system

STANDARD

- Intel Core i7-6700K 4.2GHz processor
- GTX 1070 8GB DDR5X NVIDIA graphics card
- Micron M600 512GB SSD
- 16GB 2133MHz DDR4 RAM

PERFORMANCE

- Intel Core i7-6700K 4.2GHz processor
- GTX 1080 8GB DDR5X NVIDIA graphics card
- Dual Micron M600 512GB SSD
- 32GB 2133MHz DDR4 RAM

Connectivity

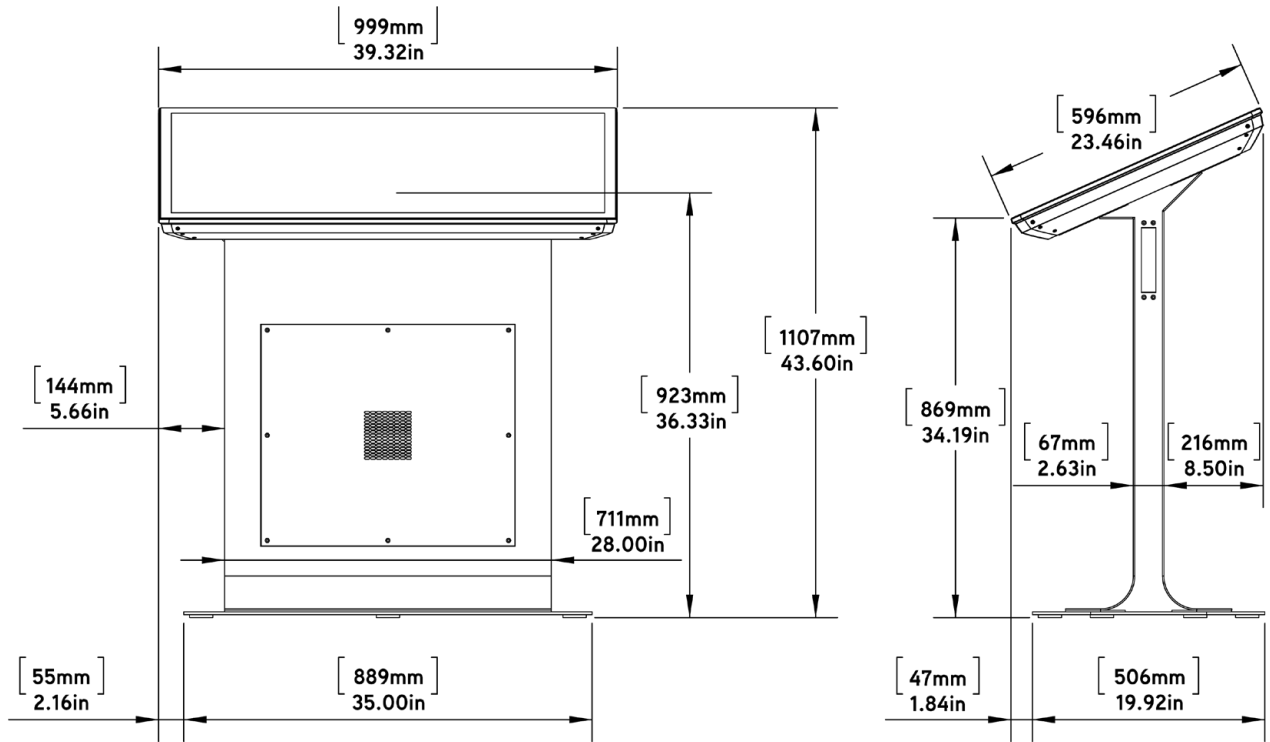
- WiFi 802.11 a/b/g/n, Ethernet, Bluetooth 4.0, RFID
- Wireless keyboard with integrated trackpad
- Direct access via USB ports
- Audio output via 1/8" audio jack
- HDMI Output (PC)
- Communication hardware can be removed upon request for secure environments

43"

WEIGHT
166 LBS / 75 KG

SHIP WEIGHT
325 LBS / 147 KG

W/TRAVEL CASE
410 LBS / 186 KG



Interactive Display

- 3M™ projected capacitive touch screen
- 4K UHD (3840x2160) LCD display
- ±5 ms touch response time
- 80 touch points with palm rejection
- 43" diagonal, strengthened, anti-stiction, 4mm glass surface
- Two 10W integrated speakers

Integrated PC System

- Single push-button power
- Custom lockable enclosure
- Windows 10 (default), 8.1, or 7
- Universal 110-240V power system

STANDARD

- Intel Core i7-6700K 4.2GHz processor
- GTX 1070 8GB DDR5 NVIDIA graphics card
- Micron M600 512GB SSD
- 16GB 2133MHz DDR4 RAM

PERFORMANCE

- Intel Core i7-6700K 4.2GHz processor
- GTX 1080 8GB DDR5X NVIDIA graphics card
- Dual Micron M600 512GB SSD
- 32GB 2133MHz DDR4 RAM

Connectivity

- WiFi 802.11 a/b/g/n, Ethernet, Bluetooth 4.0, RFID
- Wireless keyboard with integrated trackpad
- Direct access via USB ports
- Audio output via 1/8" audio jack
- HDMI Output (PC)
- Communication hardware can be removed upon request for secure environments

Customization

Color



Available in hundreds of RAL color and finish options. (+ 2-4 weeks additional lead time)

ATA Flight Case



Reusable travel case with locking casters and locking latch clasps.

The Colossus, Pano, Pro, Platform, and Duet Touch Tables, and Presenter Touch Walls from Ideum are designed, manufactured, and assembled in the USA.

Compliant with height requirements for the Americans with Disabilities Act standards for accessibility.

3M

3M™ is a trademark of 3M Company.

What's Inside



4K Ultra HD
(3840x2160)
commercial LCD
display



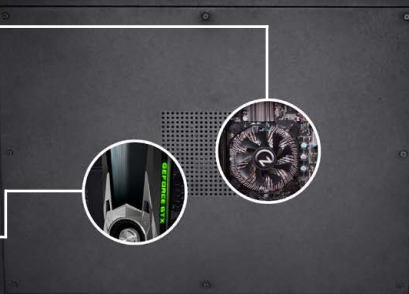
PCAP touch
sensor with 80
touch points



i7-6700K Quad Core
4.2GHz processor



GTX 10 Series NVIDIA
graphics card



Aircraft-grade aluminum
made in the USA

Our touch tables and touch walls
use the best performing, most
reliable components available.

About Ideum

Ideum is a creative company based in Corrales, New Mexico. We offer exhibit design and software development services to museums, nonprofits, and socially responsible companies. Please contact us at (505) 792-1110 ext.1 or toll free in the US and Canada (855) 898-6824, use our online inquiry form, or email us at sales@ideum.com. Our multitouch products are sold domestically and internationally.

Multitouch Authoring



Ideum multitouch products includes a free, lifetime license of GestureWorks 2.

GestureWorks 2 is a multitouch authoring solution that works with C++ and Unity3D. It has nine basic built in gestures but supports hundred more using the extensible Gesture Markup Language. Licenses include ticketed, timely support (one year is included free*) and free upgrades for life. More information can be found at gestureworks.com.

WARRANTY & SUPPORT

Our products are custom built with only the highest-quality components available and are designed to last. We back all of our hardware with a three-year warranty. The same people who design and build our systems provide our timely support.

**Support hours provide dedicated time to troubleshoot any issues that may pertain to our software. Support hours are valid for the first year of purchase only. Additional annual support packages can be purchased as needed at an additional price. However, the Pro and Site Licenses are lifetime licenses. Please see our License Agreement for full details: <http://gestureworks.com/legal>*

IMPORTANT NOTICE TO PURCHASER: Specifications are subject to change without notice. Ideum hardware and software are warranted from the ship date to the period stated in the warranty. Please note that under Ideum's warranty, Ideum has no obligation for any hardware product that is modified or damaged through misuse, accident, neglect, or subsequent integration, service, or tampering, by anyone other than Ideum or an Ideum-approved entity or individual. Ideum makes no additional warranties, express or implied, including but not limited to any fitness for a particular purpose. The User is responsible for determining whether Ideum hardware products or software are fit for the

User's particular purpose. If the hardware product or software are proven not to have met Ideum's warranty, then Ideum's sole obligation and User's and Purchaser's exclusive remedy, will be, at Ideum's option, to repair or replace the product or refund its purchase price. Ideum shall not be liable in any action against it in any way related to the hardware products or software for any loss or damages, whether non-specified, direct, indirect, special, incidental or consequential (including downtime, loss of profits or goodwill) regardless of the legal theory asserted. Please see our full warranty for complete details.